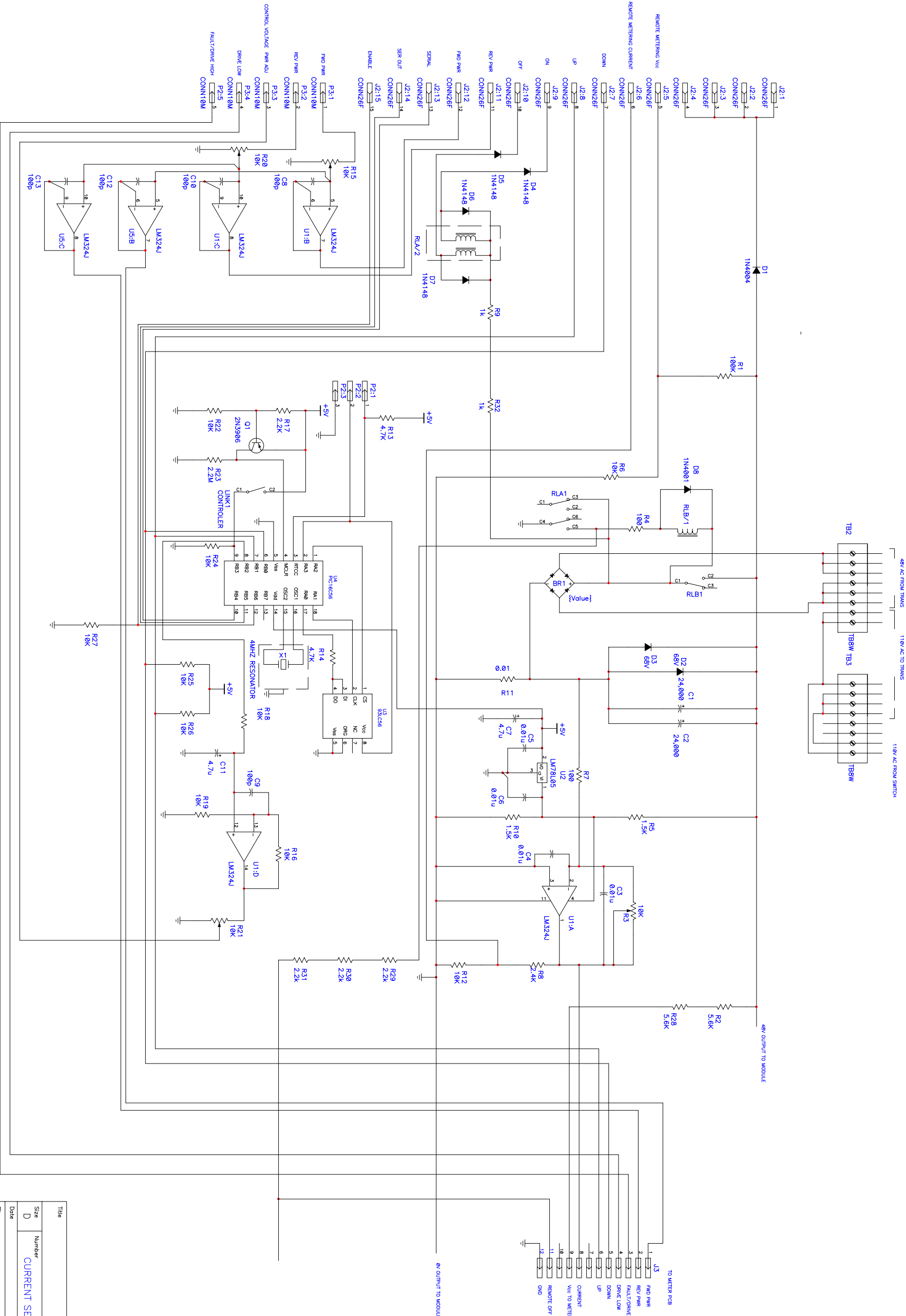


REAR PAN 25W D CONNECTER



Title		CURRENT SENSE BOARD	
Size	Number	Drawn by	Rev
D			
Date		Sheet	of
Filename			