

HANDBOOK

FM SERIES

Stereo Encoder

PTEK

PTEK
111 N. Vista Rd. Ste 3E
Spokane Valley, WA 99212
(509) 290-6652
customerservice@ptekpower.com

Limited Warranty

PTEK (SELLER) warrants that products are free from defects in material and workmanship and meet performance specifications provided, however, that:

- (A) SELLER' liability under this Warranty is limited to repairing or replacing, at its option, any product delivered here under not conforming to this Warranty;
- (B) This Warranty is limited to a period of two years;
- (C) Minor deviations from specifications which do not affect performance are excluded from this Warranty; and
- (D) SELLER shall be liable under this Warranty only if:
 - (1) It is promptly notified in writing by the Buyer upon discovery of the failure of any product to conform to this Warranty,
 - (2) The product is returned to SELLER, transportation charges prepaid by the Buyer,
 - (3) The product is received by SELLER not later than ten days after the last day of the two-year period of this Warranty, and
 - (4) SELLER' examination of the Product discloses to SELLER'S reasonable satisfaction that such defects or failures as may exist have not been caused by misuse, neglect, improper installation, repair, alteration, accident or shipping.

This page is intentionally blank

The Buyer will prepay freight to and from SELLER on products serviced here under at SELLER' plant; but SELLER may, at its option, elect to perform any repairs here under at the Buyer's place of business.

The foregoing constitutes SELLER'S entire Warranty expressed, implied and/or statutory, except as to title, and states the full extent of SELLER'S liability to the Buyer or to any other party for any breach of such Warranty and for damages, whether direct, special, incidental or consequential; and, other than as expressly provided in this document. No Warranties, expressed or implied, including any Warranty or merchant ability or of fitness for a particular purpose, are made. No employee, representative or agent of SELLER has any authority, expressed or implied, to alter or to supplement the terms of this Warranty.

Warranty Service

The Limited Warranty covers parts and labor to the original purchaser for two year. Damage caused by misuse or shipping is excluded from the warranty. Before returning units or material, contact the factory for a Returned Material Authorization (RMA) number. Ship all material prepaid. Defective material should be addressed to:

PTEK
PTEK
111 N. Vista Rd. Ste 3E
Spokane Valley, WA 99212
(509) 290-6652
customerservice@ptekpower.com

M O D R E C O R D

FIRST PRINT.....APRIL 2001

Contents

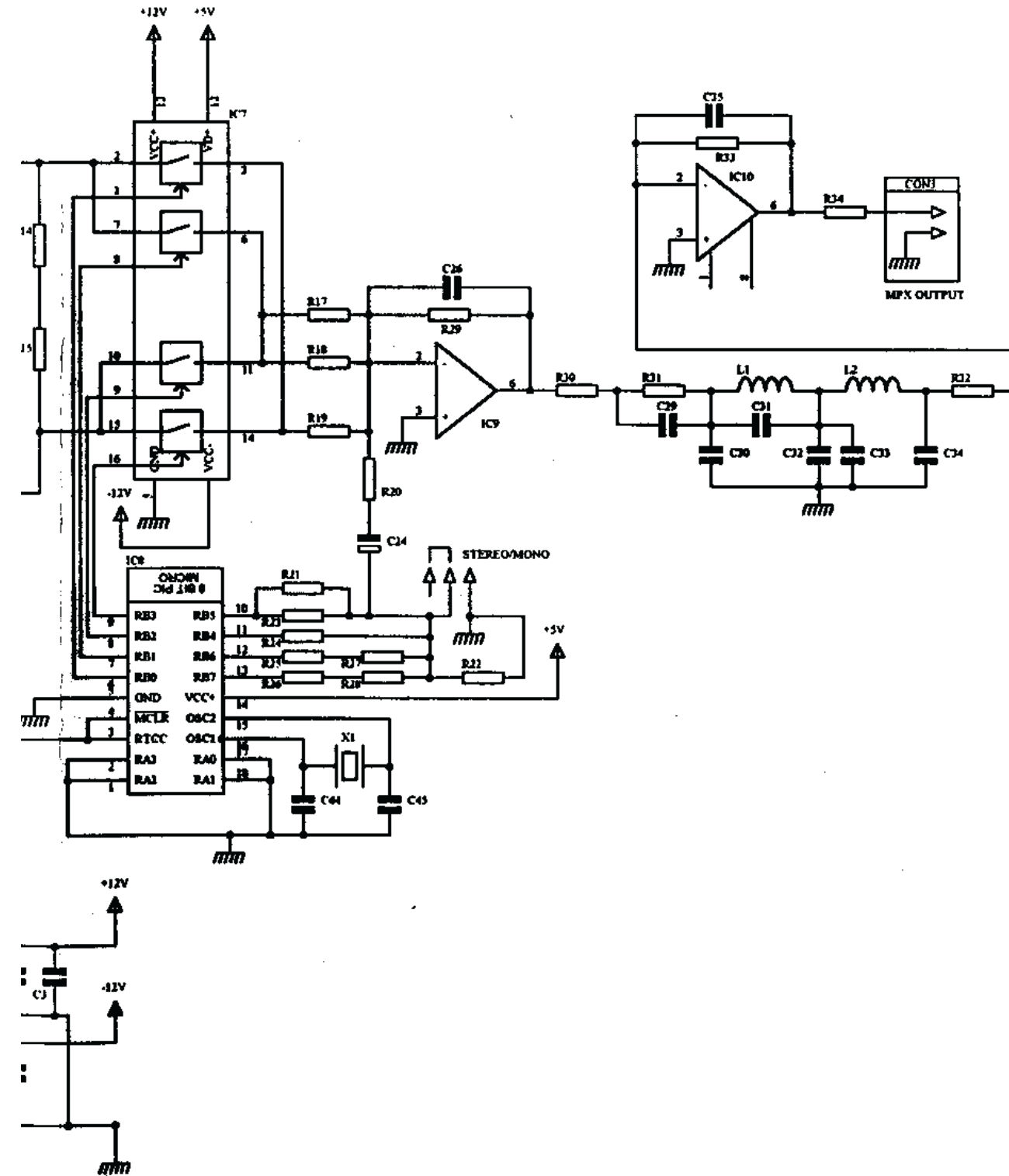
Specifications	4
Rear Panel Layout	5
Encoder Settings.....	7
Schematic	8

This page is intentionally blank

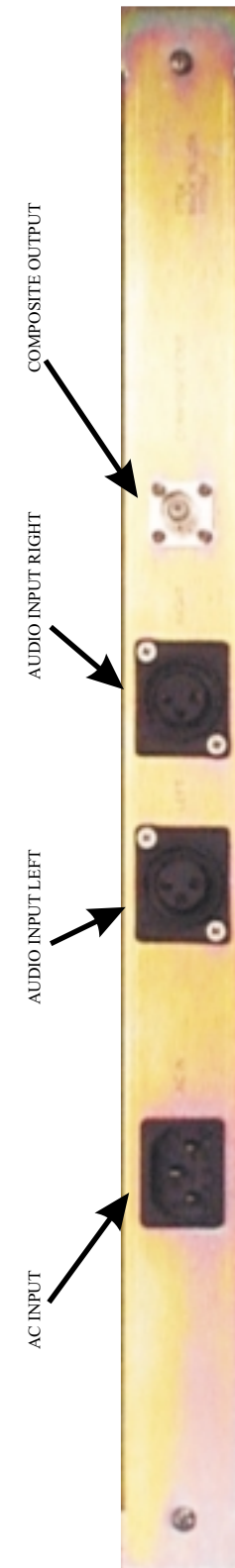
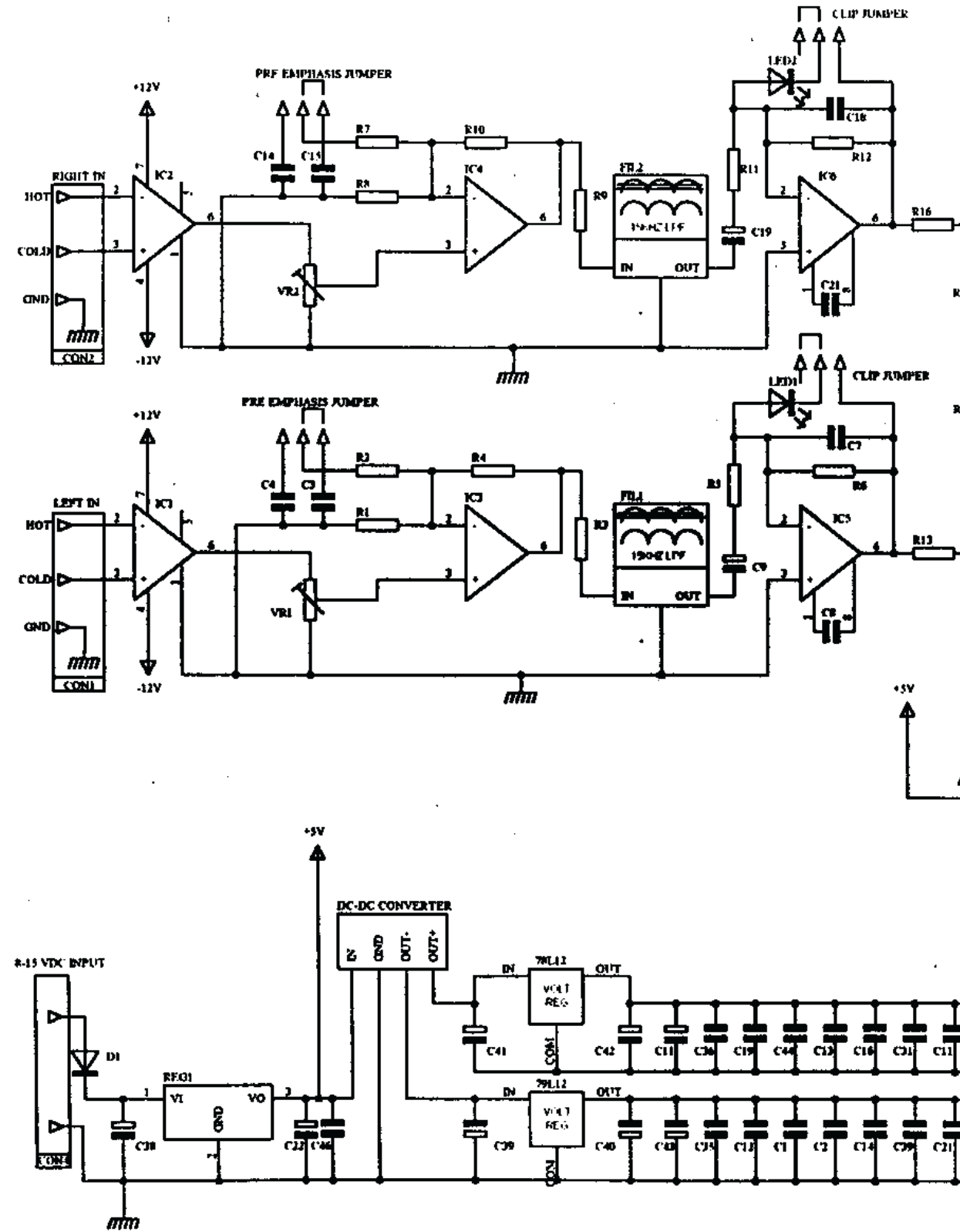
Specifications

Specifications

Stereo separation	>60 db
Pilot frequency	19 khz +/- 2 hz
Pilot THD	<0.1 %
Pilot level	9%
38 khz rejection	>65 db
IMD and beats.	>60 db (no clipping)
Input level	-10 db to +20 db
input impedance	10k Ohms
Output level	+6db
output impedance	75 Ohms
spurious > 100 khz	< -60 dbc
spurious > 200 khz	< -80 dbc
Pre emphasis	None, 50us, 75us (switchable)



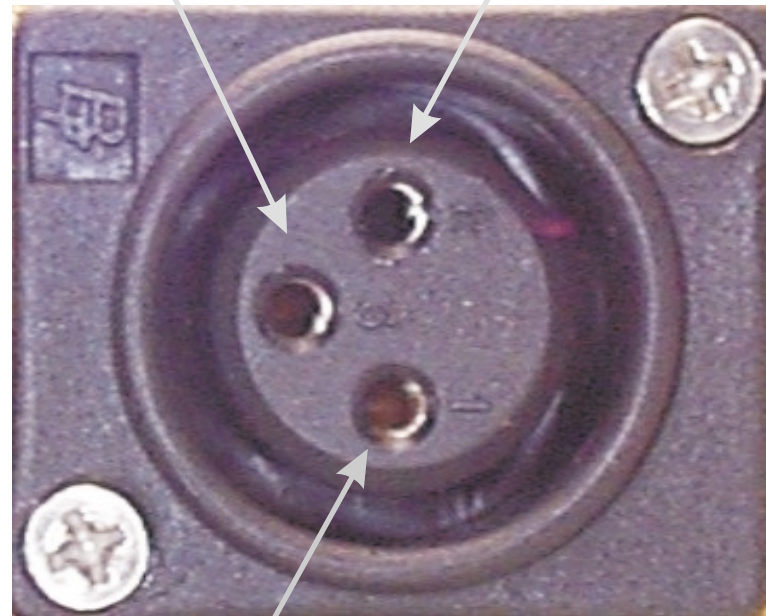
Rear panel layout



XLR connector

pin #2 high (+)

pin #3 low (-)



state that pin #1 ground

Encoder Settings

